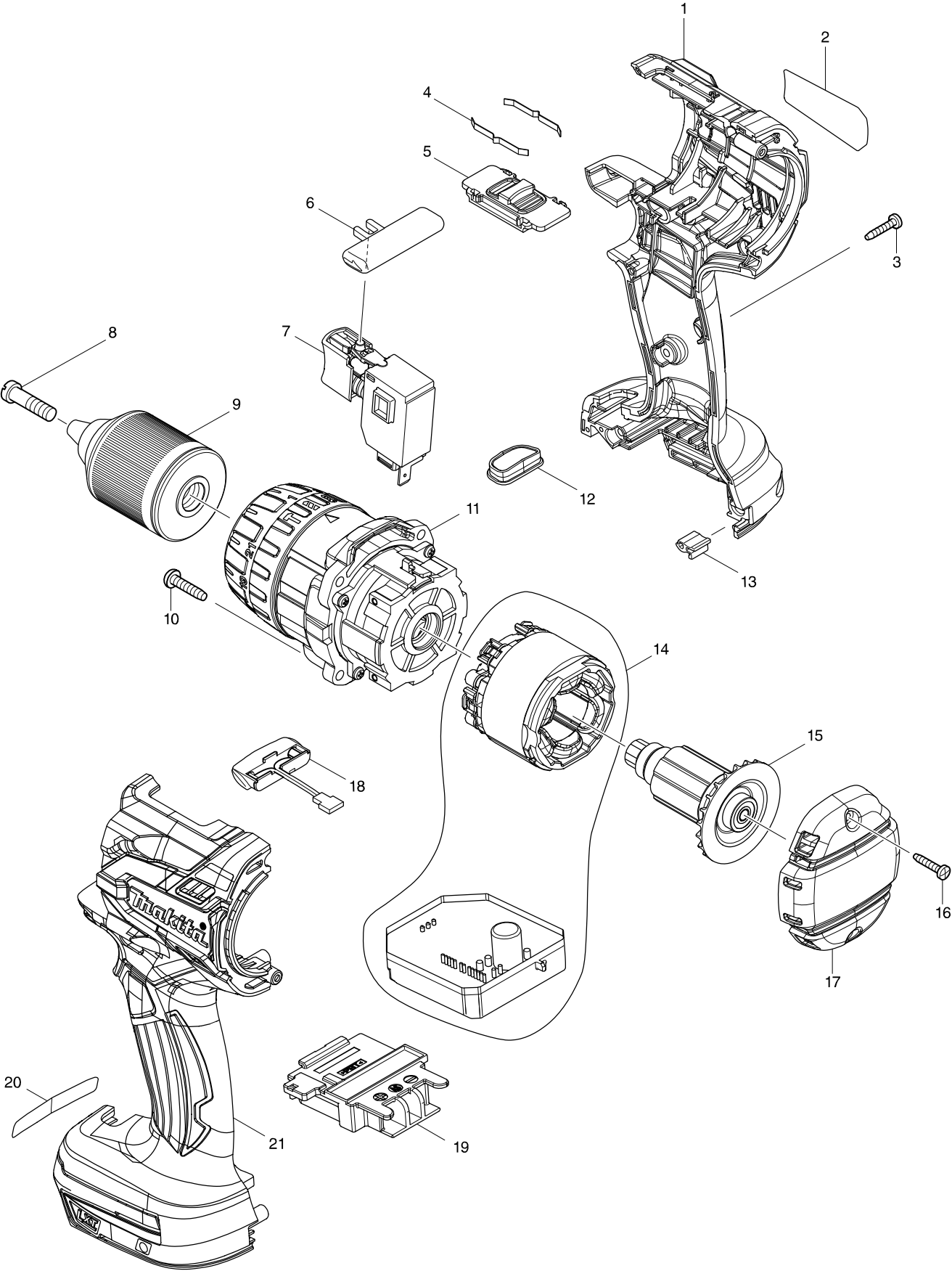


# Model DHP481 CORDLESS HAMMER DRIVER DRILL



# Model DHP481 CORDLESS HAMMER DRIVER DRILL

Strana 1 / 2

Položka	Objednávacie	Popis	I/C	ks	N/O	Možnosť 1	Možnosť 2	Poznámka
001	187921-4	HOUSING SET		1				
C10	263005-3	KOLÍK GUMA 6 2414		2				
D10		INC. 21						
002	815S71-6	DHP481 NAME PLATE		1				
003	266130-9	SKRUTKA SAMOREZNÁ BIND3X16		7				
004	232220-0	PRUŽINA PRÍTLAČNÁ 6319D/8414D-Series		2				
005	126411-2	SPEED CHANGE LEVER ASSEMBLY		1				
C10	233438-6	PRUŽINA 4 BDF/BHP		2				
006	419250-0	PREPÍNAČ BDF/BHP		1				
007	650710-5	SWITCH C3JW-4B		1				
008	251468-5	SKRUTKA M6x22 6261D		1				
009	766015-4	Skľučovadlo		1	*			
009-1	763248-2	KEYLESS DRILL CHUCK 13	<	1				
010	265995-6	SKRUTKA SAMOREZNÁ 4x18		4				
011	126410-4	GEAR ASSEMBLY		1				
012	142263-3	INDICATOR PANEL COMPLETE		1				
013	424517-3	CUSHION		1				
014	629116-8	STATOR COMPLETE		1				
015	619336-2	ROTOR		1	*			
015-1	619397-2	ROTOR	O	1				
016	266130-9	SKRUTKA SAMOREZNÁ BIND3X16		2				
017	455011-4	REAR COVER		1				
018	620283-2	LED CIRCUIT		1				
019	643899-6	TERMINAL		1				
021	187921-4	HOUSING SET		1				
C10	263005-3	KOLÍK GUMA 6 2414		2				
D10		INC. 1						
A01	122576-8	TYČ DORAZOVÁ		1				
A02	126413-8	GRIP ASSEMBLY		1				
C10	142652-2	POLE COMPLETE		1				
C20	142653-0	ARM R COMPLETE		1				
C30	265785-7	THUMB SCREW M5X10		1				
C40	266886-4	HEX. BOLT M8X65		1				
C50	319129-4	ARM L		1				
C60	931202-6	Skrutka M5		1				
C70	962055-2	RETAINING RING (INT) R-15		1				
A03	251314-2	SKRUTKA M4x12 LS0810/1013		2				
A04	346317-0	KLIP NA OPASOK BDF456/BHP456		1				
A05	452947-8	DRŽIAK BITU BDF444		1				
A06	784637-8	BIT OBOJSTRANNÝ NR 2-45MM 1/4"		2				
A07B	821550-0	KUFOR PVC 2 395x295x157mm		1				
C10	453974-8	LATCH		4				
A07C	821550-0	KUFOR PVC 2 395x295x157mm		1				
C10	453974-8	LATCH		4				
A07D	821524-1	PLASTIC CARRYING CASE		1				
C10	162302-3	KLIP NA KUFOR BDF456/BHP456		2				
C20	325809-2	SHAFT		1				
C30	451749-9	HANDLE		1				

